

## Sennebogen Compact Telescopic Crawler Cranes

Fussey Piling exclusively has a range of Sennebogen Telescopic Crawler Cranes that we employ with our state of the art Kowan Stillworkers.

These cranes offer the best of the traditional crawler cranes, together with the benefits of a mobile crane with their telescopic jibs. The modern designs enable a fully hydraulic control for a smooth, safe and reliable operation. The undercarriage extends to 4.5m for full operational duties and retracts to just 3.0m wide for transportation. The cranes are fully at home on tight city centre type developments or larger sites. The crane can also work with a reduced capacity at just 3.0m wide on the most restrictive of sites.

The Full-Power Boom of the Sennebogen Telescopic Crawler Cranes can be continuously extended and retracted over their full length. This highly robust, maintenance-free system allows for continuous extending and retracting, which is always friction-locked. The machines can be set to any desired boom length variably and quickly via the joystick, this saves time and allows effective working. Fussey Piling's telescopic cranes are quick and agile at any length, especially when working with varying boom lengths.

The fleet consists of 643R and 653E models. The 643R is a mid-sized crane. Its revised design makes the operation even better throughout the load range enabling larger loads at increased radius to be lifted. Its 135 kW engine meets the low tier 3ft emission standards.

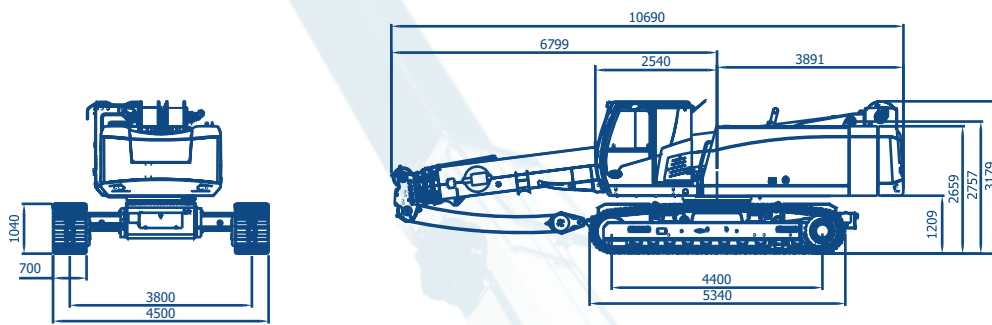
The largest crane in the fleet is the 653E. The machine comes with a 129 kW diesel engine meeting Tier 4f emission standards. It's maximum capacity of 50t is a 25% increase in lifting over the rest of the fleet.



### ADVANTAGES

- Quiet in operation
- Compact and powerful
- Full-Power Boom
- Versatile and flexible in use
- Easy to transport, quick to set up
- Efficient

TYPICAL BEARING PRESSURES	CRANE		
	643R	653E	
Max Rectangular bearing pressure	218	233	kN/m <sup>2</sup>
Equivalent track Bearing length	1.94	2.27	m



## 643 R Telescopic Crawler Crane

### 30m TELESCOPIC BOOM LOAD CHART

Radius (m)	boom length (m)													
	9.0	12.5	16.0	19.5	23.0	26.5	30.0							
2	40.0*	40.0*												
3	35.0	33.0	20.0	20.0	15.0	15.0	14.0	14.0	11.0	11.0	8.9	8.9	5.0	5.0
4	30.2	20.2	20.0	19.9	15.0	15.0	14.0	14.0	11.0	11.0	8.9	8.9	5.0	5.0
5	25.5	14.2	20.0	14.0	15.0	13.9	13.3	13.3	11.0	11.0	8.6	8.6	5.0	5.0
6	18.6	10.7	18.5	10.5	14.9	10.5	12.0	10.9	10.3	10.3	8.3	8.3	5.0	5.0
7	(6.2m) 12.2	(6.2m) 10.2	14.3	8.3	13.2	8.2	10.9	8.6	9.5	8.9	7.8	7.8	5.0	5.0
8			11.5	6.7	11.4	6.6	9.8	7.0	8.7	7.3	7.4	7.4	5.0	5.0
9			9.5	5.5	9.4	5.4	9.0	5.8	7.9	6.1	6.9	6.2	5.0	5.0
10			(9.6m) 7.5	(9.6m) 4.9	8.0	4.5	8.3	4.9	7.1	5.1	6.4	5.3	5.0	5.0

## 653 E Telescopic Crawler Crane

### 30.4m TELESCOPIC BOOM LOAD CHART

Radius (m)	boom length (m)													
	9.4	12.8	16.3	19.8	23.3	26.8	30.4							
2	50.0		31.0		26.0		15.6		14.5		26.8		30.4	
3	45.0		31.0		24.4		15.6		14.5		12.7			
4	38.0	24.0	31.0	22.7	21.7	20.0	15.6	15.6	14.5	14.5	12.6	12.6	9.2	9.2
5	30.0	17.0	28.0	17.3	19.3	16.0	15.6	15.5	14.2	14.2	12.4	12.4	9.2	9.2
6	22.0	13.0	22.3	13.2	16.9	12.8	14.9	12.6	13.6	12.3	11.9	11.9	9.2	9.2
7			17.3	10.4	15.0	10.3	13.6	10.4	12.5	10.2	11.1	10.0	9.1	9.1
8			14.2	8.4	13.3	8.3	12.2	8.7	11.2	8.7	10.3	8.6	8.7	8.4
9			11.5	7.0	11.5	6.9	11.1	7.3	10.2	7.5	9.4	7.4	8.2	7.3
10					9.7	5.8	9.9	6.1	9.3	6.4	8.6	6.4	7.8	6.4